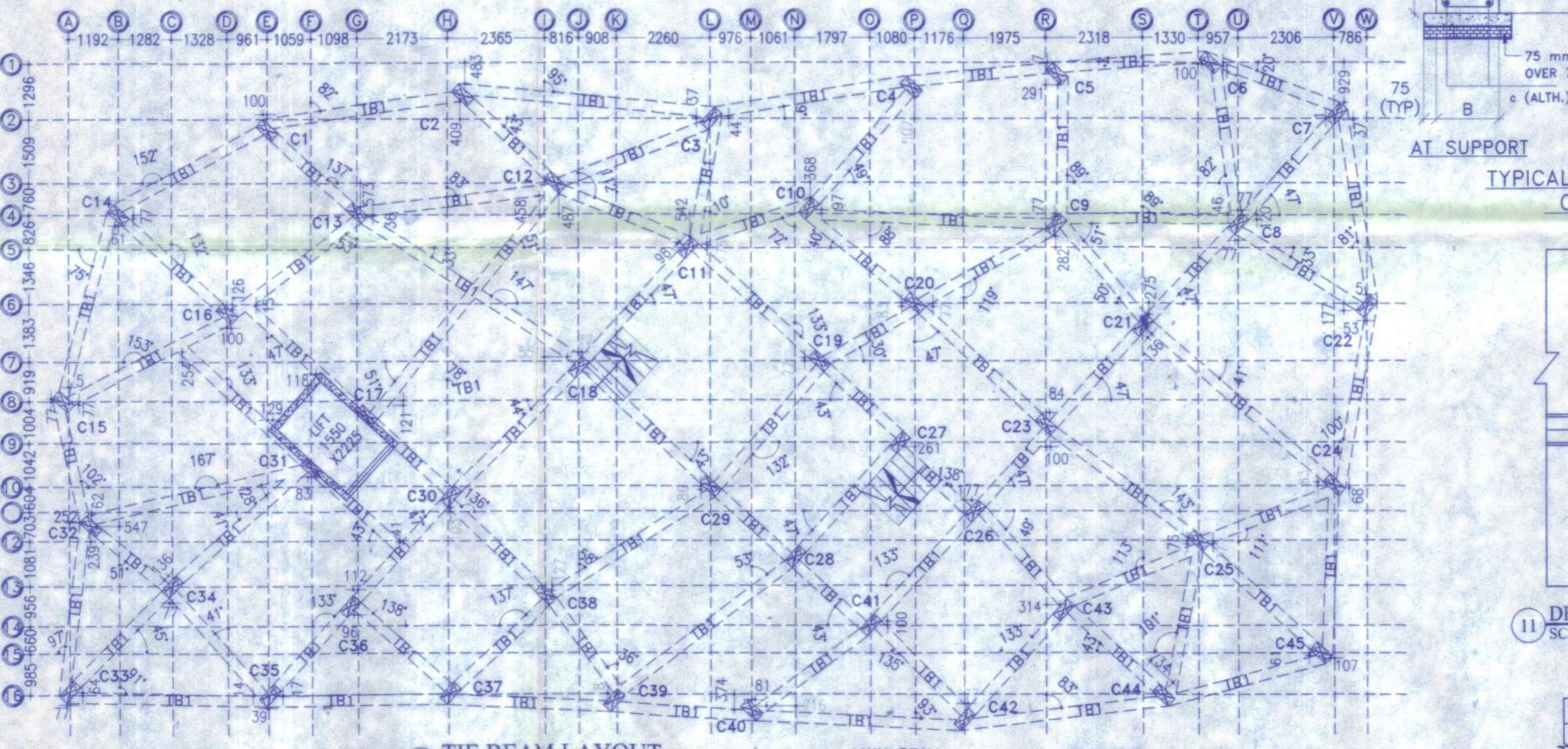


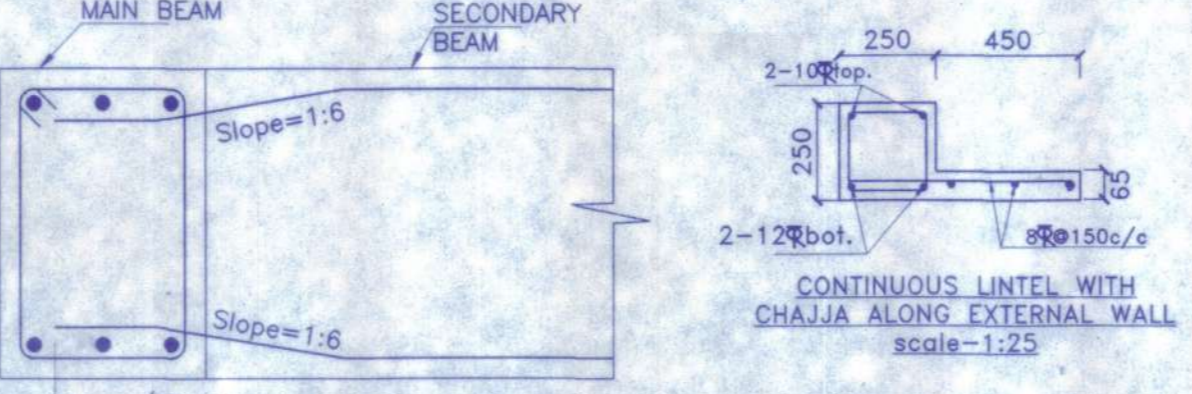
7 TYPICAL ROOF FLAT SLAB  
SCALE: 1:100



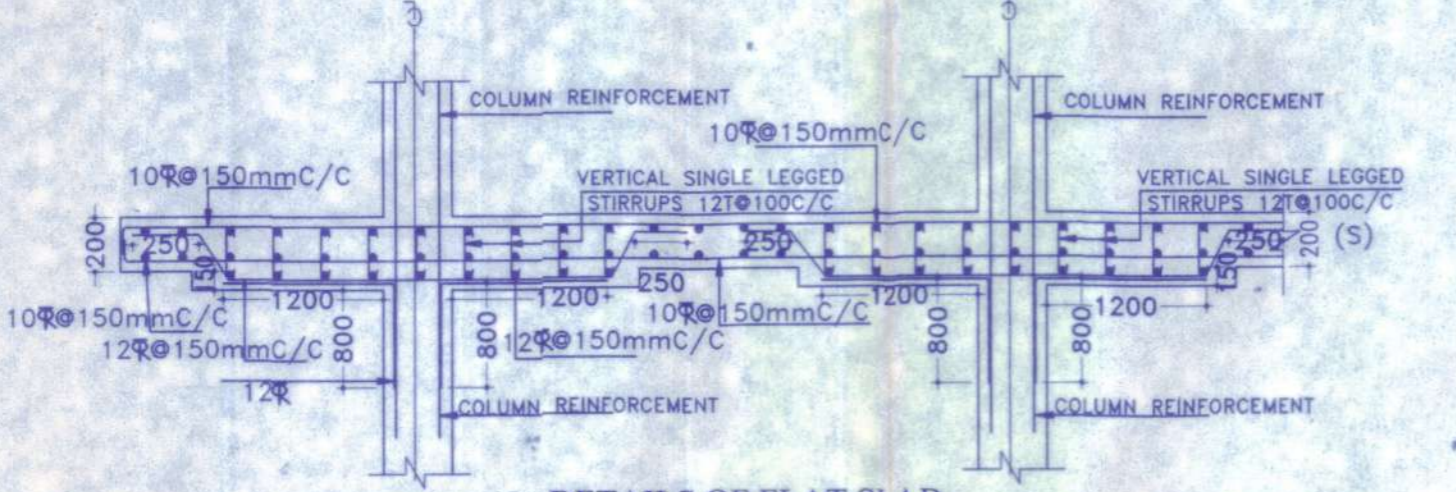
08 TIE BEAM LAYOUT  
SCALE: 1:100

TABLE NO:-05 (SCHEDULE OF FLOOR BEAM)

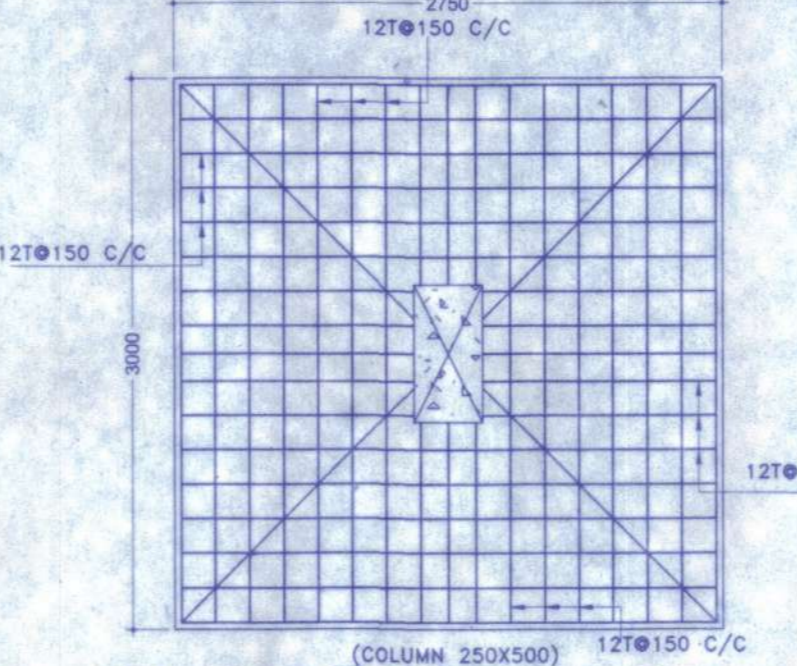
Beam Mkd	Size	All Through	Ext. at End Supp.	Ext. at Top Span	Ext. at Bot. Supp.	Ext. at Cent. Span	STIRRUPS
B	D	Top(a) Bot.(c)	(b)	(e)	(b)	(e)	Support Span
FBI	250 400	2-16R 2-16R	2-16R	2-16R	2-16R	2-16R	2L-8R@125C/C 2L-8R@150C/C
HLB	250 350	2-16R 2-16R	1-16R	1-16R	1-16R	1-16R	2L-8R@125C/C 2L-8R@150C/C
TBI	250 400	2-20R 2-20R	2-16R	2-16R	2-16R	2-16R	2L-8R@125C/C 2L-8R@150C/C



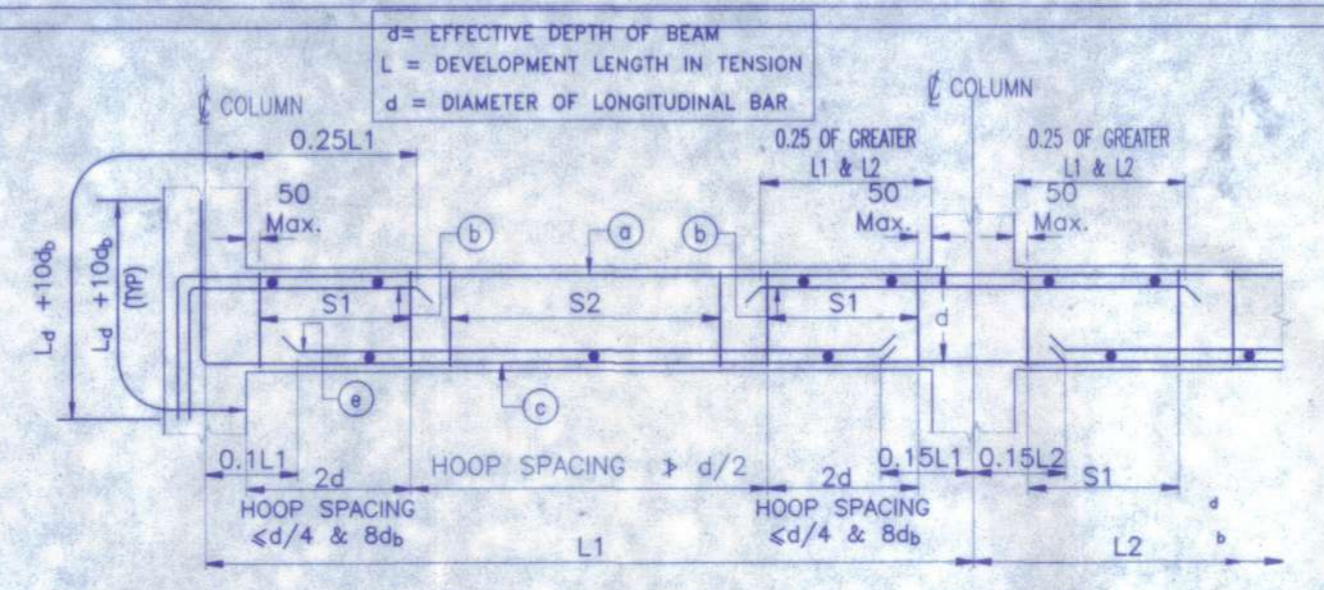
JUNC. OF MAIN AND SEC. BEAM



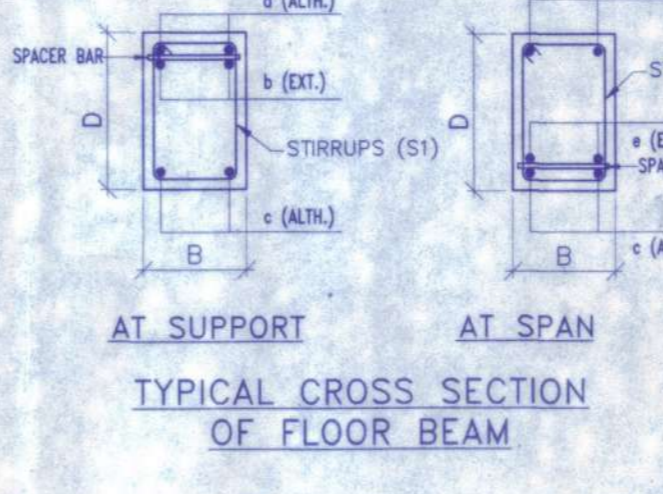
09 DETAILS OF FLAT SLAB  
SCALE: N.T.S.



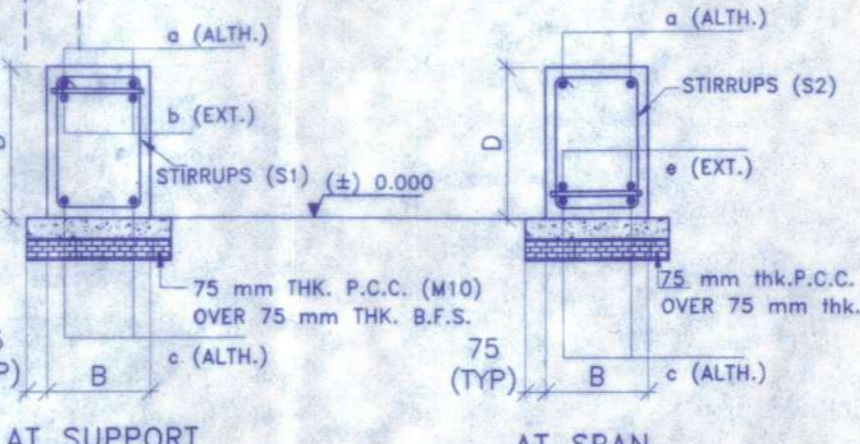
10 DETAIL OF DROP PANNEL (DP1)  
SCALE: N.T.S.



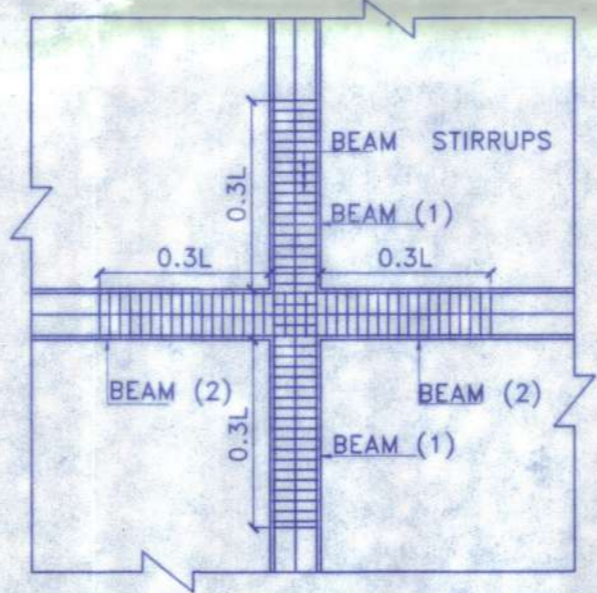
TYPICAL ARRANGEMENT OF REINFORCEMENT IN BEAM  
FIGURE NUMBER-1



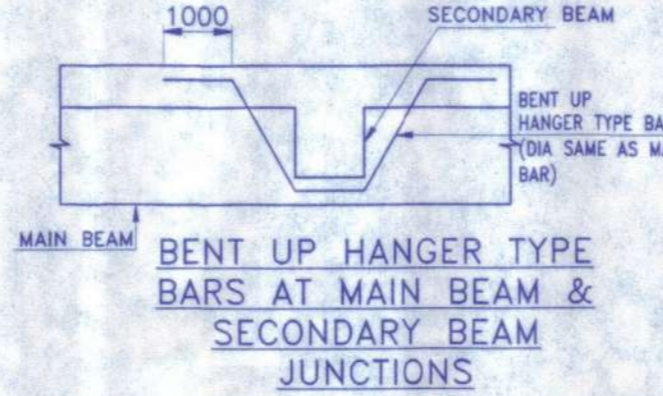
TYPICAL CROSS SECTION OF FLOOR BEAM



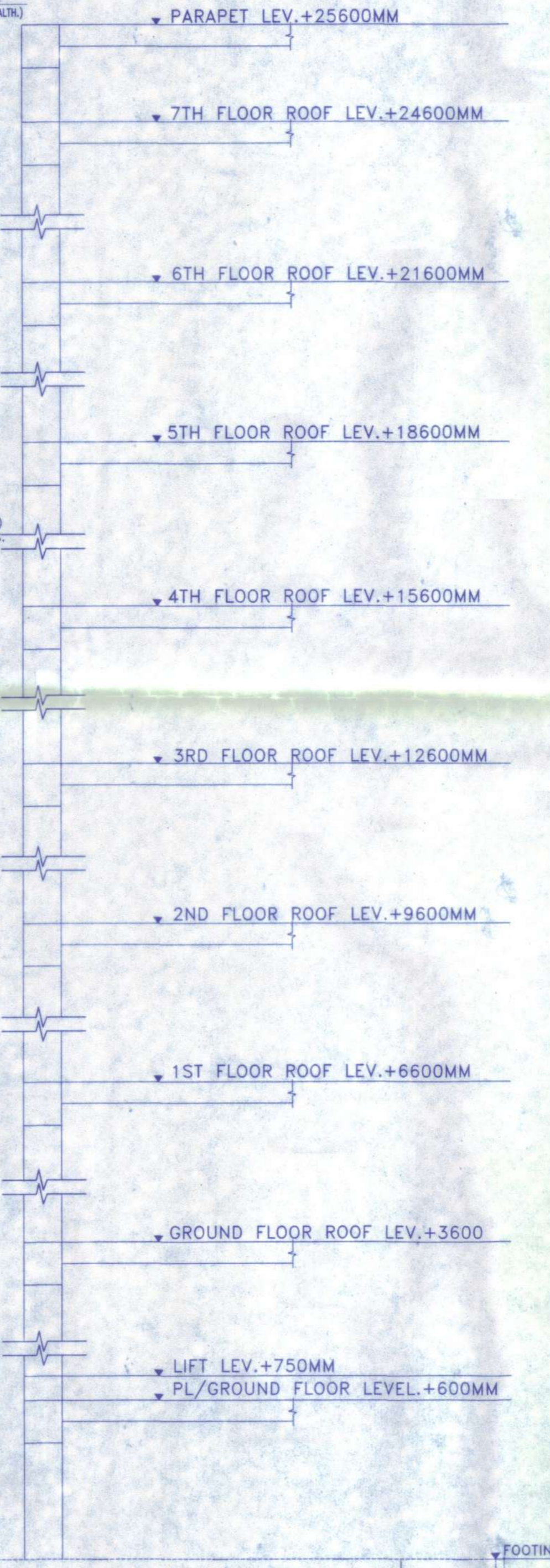
TYPICAL CROSS SECTION OF TIE BEAM



11 DETAILS OF CROSS BEAM JUNCTION  
SCALE: 1:30



BENT UP HANGER TYPE BARS AT MAIN BEAM & SECONDARY BEAM JUNCTIONS



12 LEVEL DETAILS  
SCALE: N.T.S.



12 LEVEL DETAILS  
SCALE: N.T.S.

PROJECT NAME:-  
STRUCTURAL DRAWING OF PROPOSED (G+7) STORED RESIDENTIAL BUILDING OF FIJAX CONSTRUCTION PVT.LTD REPRESENTED BY ITS DIRECTOR MANOAR HOSSAIN MANDAL S/O- MOHIRUDDIN MANDAL R.S PLOT NO-1122, L.R PLOT NO-790,789,KHATIAN NO-6929,6951,6925,7349 J.L NO-89 MUOZA: -ADHYANAGAR, DIST-MURSHIDABAD, PIN-742101.

- NOTES :-
- (±) 0.00M LEVEL REFERS TO E.G.L.
  - UNLESS OTHERWISE STATED ALL CONSTRUCTION ACTIVITIES SHALL BE CARRIED OUT CONFORMING TO RELEVANT (INDIAN) STANDARD CODES OF PRACTICE.
  - ALL DIMENSIONS ARE IN MILLIMETERS & LEVELS ARE IN METER. EXCEPT OTHERWISE MENTIONED ONLY WRITTEN DIMENSIONS SHALL BE FOLLOWED. ALL LEVELS GIVEN IN STRUCTURAL DRAWINGS ARE IN ACCORDANCE WITH ARCHITECTURAL DRAWINGS AND INDICATE STRUCTURAL LEVEL ONLY (WITHOUT FINISH). HOWEVER ARCHITECTURAL DRAWING TO BE COORDINATED FOR ALL LEVELS.
  - ALL STRUCTURAL DRAWINGS SHALL BE READ ALONG WITH THIS DRAWING AS WELL AS RELEVANT ARCHITECTURAL DRAWINGS.
  - ANY DISCREPANCY IN THE STRUCTURAL AND ARCHITECTURAL DRAWINGS SHALL BE BROUGHT TO THE NOTICE OF STRUCTURAL CONSULTANT BEFORE EXECUTION OF WORK.
  - UNLESS OTHERWISE SPECIFIED ALL REINFORCEMENT TO BE USED SHALL BE TMT. BARS OF GRADE Fe-500/500 D CONFORMING TO IS-1786-2008.
  - ADEQUATE CHAIR BARS TO BE PROVIDED TO KEEP THE TOP REINFORCEMENT IN PROPER POSITION.
  - UNLESS OTHERWISE STATED LAP LENGTH OF BARS SHALL BE DEVELOPMENT LENGTH=50x BAR DIA.
  - UNLESS OTHERWISE SPECIFIED DISTRIBUTION REINFORCEMENT SHALL BE 8 T @ 250 C/C
  - CONCRETE COVER TO MAIN REINFORCEMENT SHALL BE AS FOLLOWS:-  
a) Beam:-25 mm, b) Column:-40mm, c) Slab:-15mm, d) Footing:-50mm, e) R.C.C Wall:-20 mm, f) Stair:- 20mm.
  - Grade of concrete will be M30 for column and M25 for beam and sub structure as per is: 456:2000.
  - Development length 50xd for lap & splice should be provided as per the provisions laid down in SP34:1987

SIGNATURE OF ENGINEER:- **SANCTIONED**  
Hirak Ghosh  
Hirak Ghosh  
Structural Engineer  
Sanctioned vide Bill No. 182  
Date: 13/04/2022  
Sanctioned is valid for 3 (Three) years only.  
Completion report must be Submitted after completion of work.  
SIGNATURE OF DEVELOPER/OWNER:-  
Manoar Hossain Mandal  
DIRECTOR

FIJAX CONSTRUCTION PVT. LTD.  
Manoar Hossain Mandal  
DIRECTOR

TITLE:-  
TYPICAL ROOF FLAT SLAB & TIE BEAM LAYOUT PLAN, DETAILS OF DROP PANEL, DETAILS OF FLAT SLAB, SCHEDULE OF FLOOR BEAM, TYPICAL CROSS-SECTION OF TIE BEAM AND FLOOR BEAM.

DATE : 06.04.2022  
REV-00  
SCALE : 1:100, 1:50 1:25, N.T.S.  
SHEET NO:- GIDS/STRU 02-02